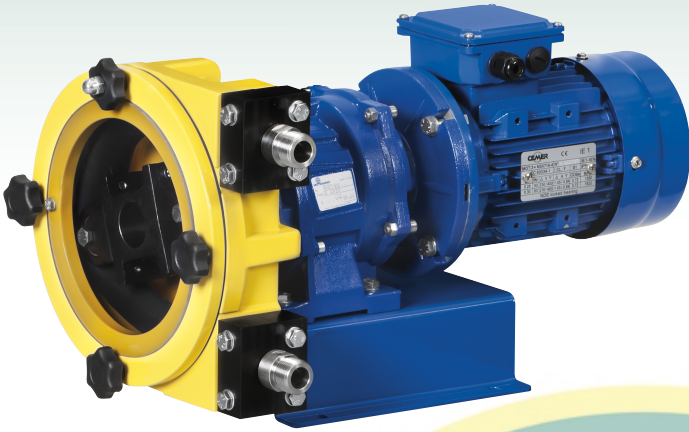




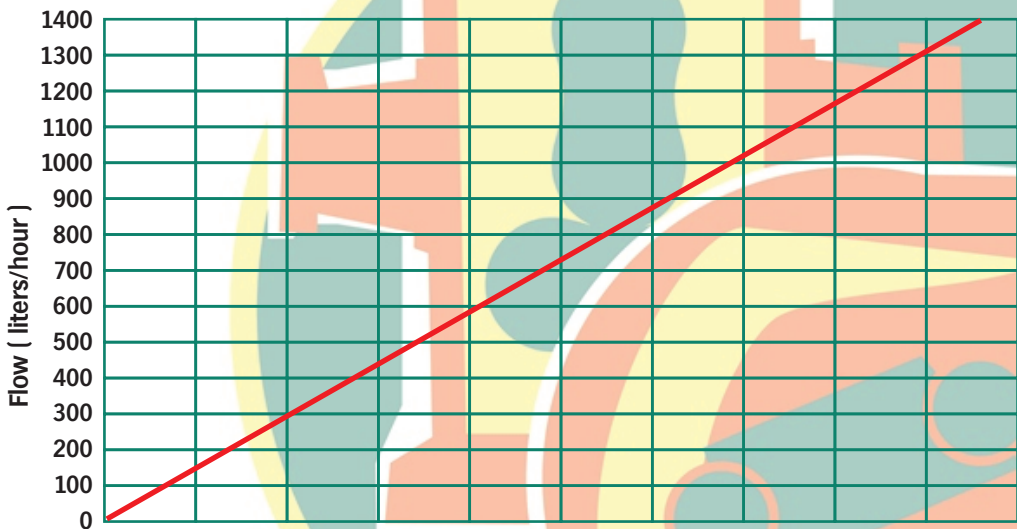
Industrial Peristaltic Pumps

AMP-22 Data sheet

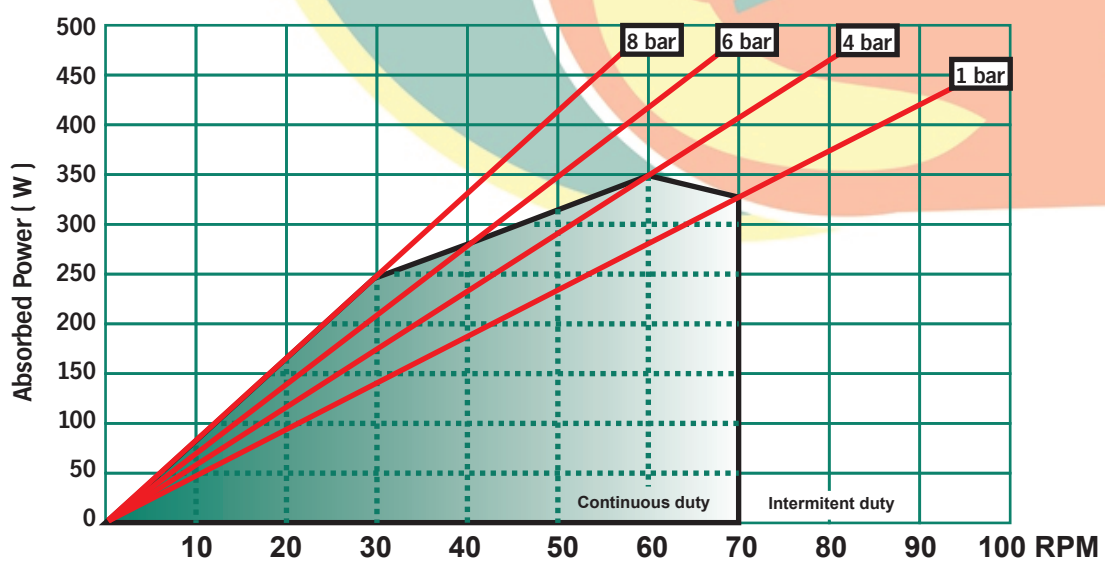


Capacity:	0,246 l/rev.
Connections:	1"
Max. Pressure:	8 bar
Rotor system:	Rollers
Available hoses:	NR NBR EPDM HYPALON NR-A NBR-A
Available tubes:	Norprene Silicone

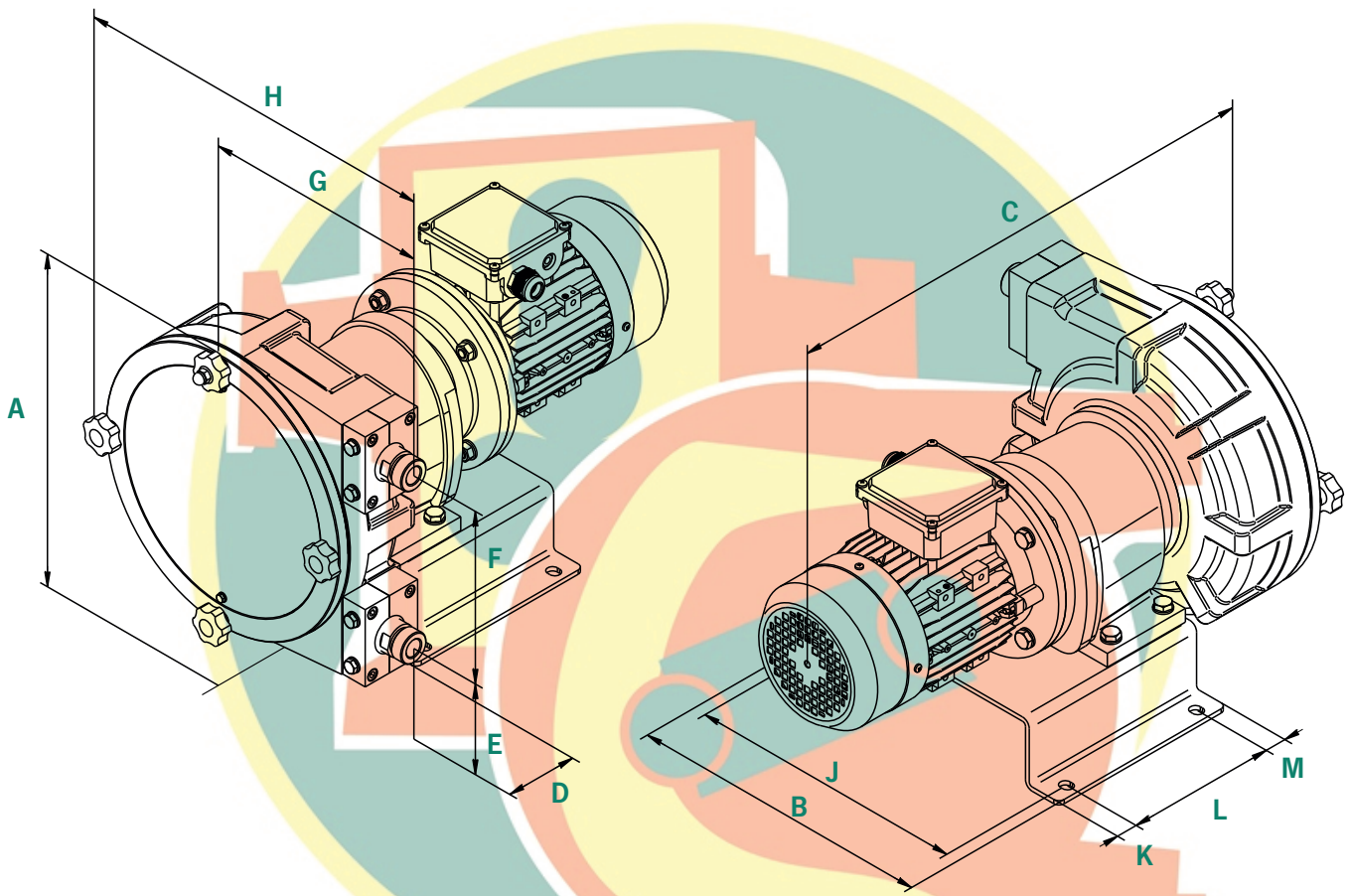
Performance table



Pressure (bar)	Torque (Nm)
1	45
4	56
6	67
8	78



Description	Material	Surface treatment
Pump housing	Alluminium EN-AC-44100	Polyester powder coated Halar coated (Optional)
Front cover	Steel F-111 / Polycarbonate	Polyester powder coated Halar coated (Optional)
Rotor	Nodular Cast Iron EN-GJL-400	Cataphoresis
Rollers	Steel F-114	Blueing
Base plate	Steel F-111 Stainless Steel AISI-304 (Optional)	Polyester powder coated --
Connections	Stainless Steel AISI-316 Polypropylene (Optional) PVDF (Optional)	--



A	B	C	D	E	F	G	H	J	K	L	M	Connections
358	290	*	69	90	201	211	378	260	25	175	25	1" BSP

* To confirm according type and power driver.



Bombas Boyser, S.L.
 c/ Miquel Martí i Pol, s/n Pol. Ind. Pla de la Costa
 08182 Sant Feliu de Codines - Barcelona - Spain
 Tel. +34 93 844 77 78 info@boyser.com
www.boyser.com

