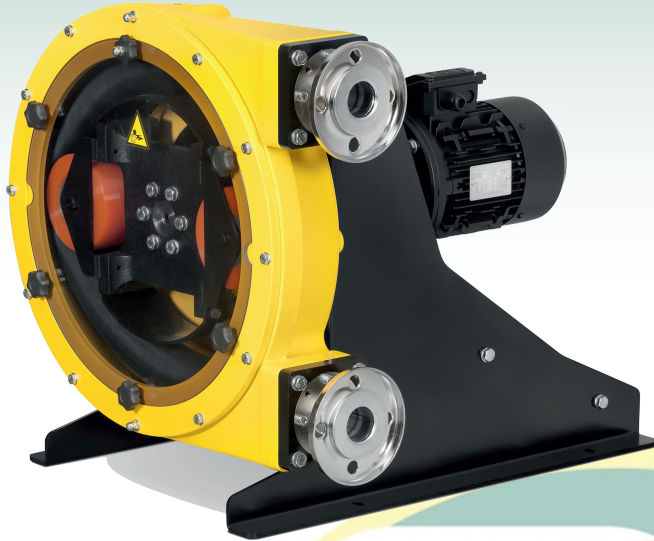


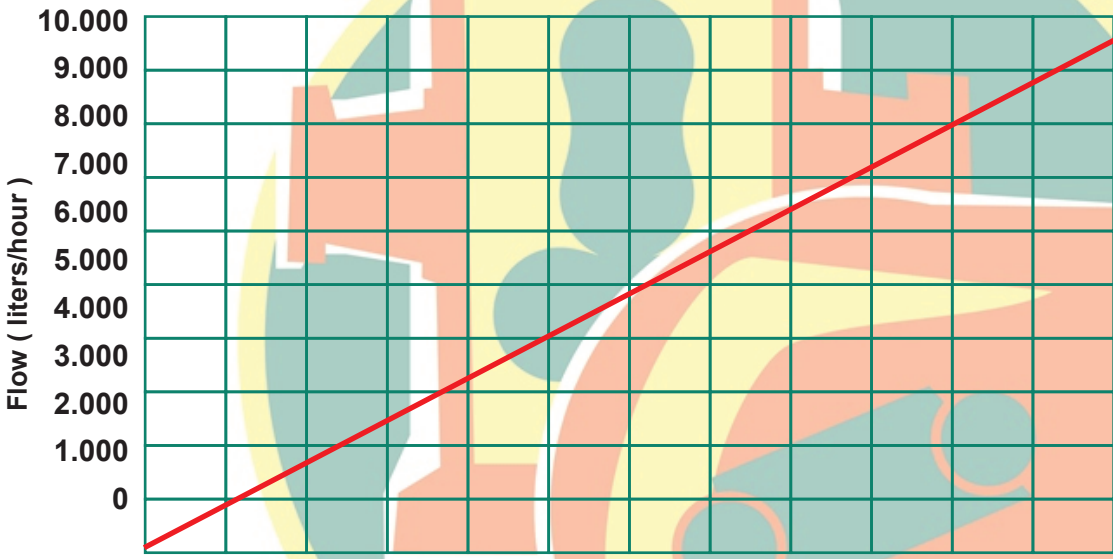


Industrial Peristaltic Pumps

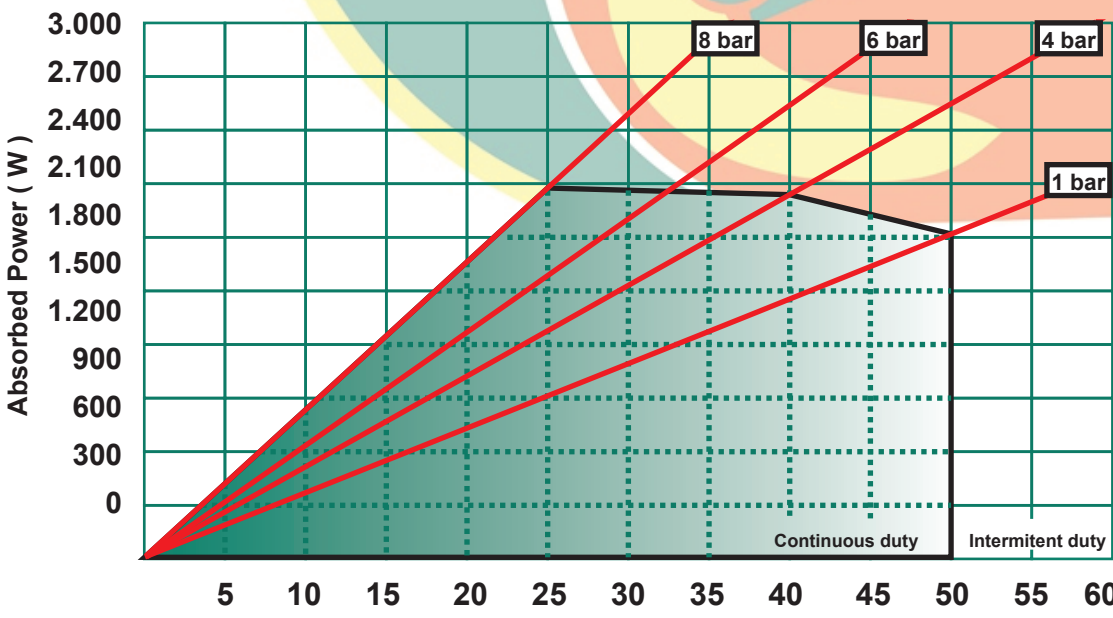
FMP-60/B Data sheet



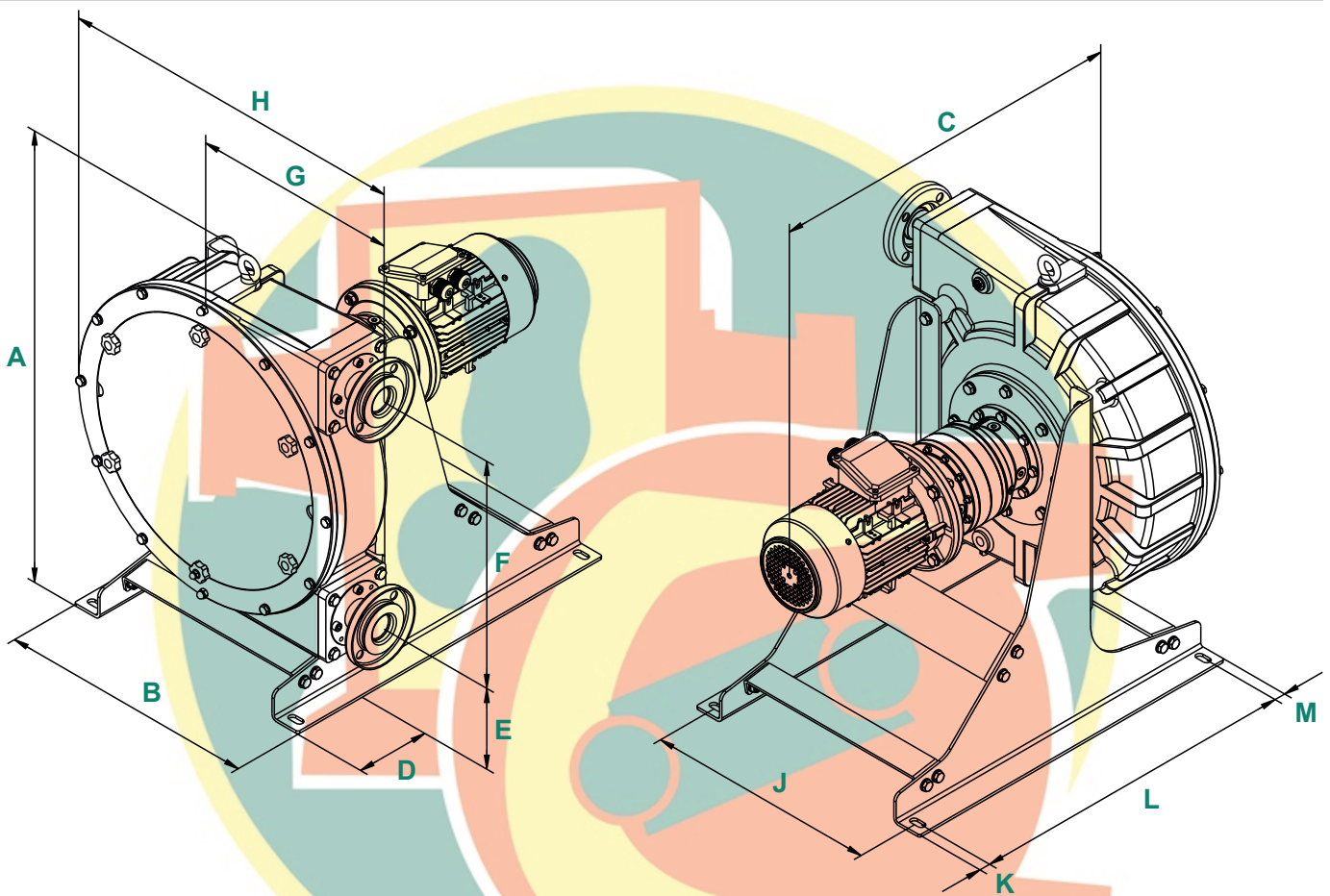
Capacity: 2,69 l/rev.
Connections: DN-50
Max. Pressure: 8 bar
Rotor system: Enlarged Rollers
Available hoses: NR
 NBR
 EPDM
 HYPALON
 NR-A
 NBR-A
Available tubes: Norprene



Pressure (bar)	Torque (Nm)
1	340
4	500
6	610
8	800



Description	Material	Surface treatment
Pump housing	Cast Iron EN-GJL-250	Polyester powder coated Halar coated (Optional)
Front cover	Steel F-111 / Polycarbonate	Polyester powder coated Halar coated (Optional)
Rotor	Nodular Cast Iron EN-GJL-400	Cataphoresis
Rollers	Steel F-114 + Polyurethane	--
Base plate	Steel F-111 Stainless Steel AISI-304 (Optional)	Polyester powder coated --
Connections	Stainless Steel AISI-316 Polypropylene (Optional) PVDF (Optional)	--



A	B	C	D	E	F	G	H	J	K	L	M	Connections
850	580	*	136	212	510	378	707	520	25	740	25	DIN DIN50

* To confirm according type and power driver.



Bombas Boyser, S.L.
 c/ Miquel Martí i Pol, s/n Pol. Ind. Pla de la Costa
 08182 Sant Feliu de Codines - **Barcelona** - Spain
 Tel. +34 93 844 77 78 info@boyser.com

www.boyser.com

