



**I Application**

The range of magnetic agitators BMA is a highly hygienic solution for the applications of dispersion, dissolution, homogenization and mixing in the pharmaceutical, biotechnological and food-processing industries.

Due to the magnetic coupling they are especially useful because they avoid any possible contact of the product with the atmosphere.

**I Operating principle**

When solids or liquids are added into the vortex created by the agitator, they are transferred straight to the rotor.

The rotor transforms the axial movement of the medium into a radial acceleration from the centre of the rotor towards the wall of the vessel.

The added medium is well distributed ensuring a homogeneous mixing of all the volume.

It is strongly advised to assemble the agitator in eccentric position in order to minimize vortex and to avoid the installation of deflectors.

**I Design and features**

Magnetic coupling. No leakage.

Designed for cleaning and sterilization (CIP and SIP).

Very low particle generation.

Bottom mounted. Excellent for suspensions.

Practical when there is no much space at the top of the tank.

Easy disassembly: neither lifting device nor special maintenance support required.

Autoclavable rotor.



**I Technical specifications**

Materials:

Parts in contact with the product

Bushing

O-ring

AISI 316L

SiC

FEP for models up to BMA-225

EPDM for other models



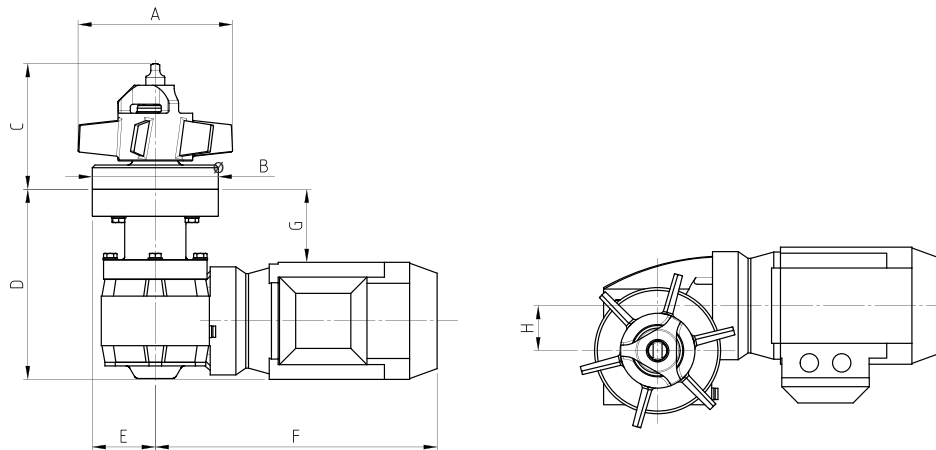
**I Technical specifications**

Surface finish	Ra ≤ 0,5 µm
Operating limits:	
Operating temperature	5°C - 150°C
Vessel pressure	from -1 up to 10 bar
Voltage	230/400 V AC 50 Hz
Protection	IP 55
Maximum mixing volume	30.000 l
Maximum working viscosity	10 cP*
* For other viscosities, please contact INOXPA.	

**I Options**

- Surface finish: electro polishing.
- Rotational sensor.
- ATEX certification.
- Control panel.

**I Dimensions**



	Motor power [kw]	Nominal speed [rpm]	Tank volume [l]	ØA	ØB	C	D	E	F	G	H	Weight [kg]
<b>BMA-100</b>	0,12	380	< 40	100	90	110	190/240	45	270	50/100	30	16
<b>BMA-125</b>	0,18	380	40-200	125	120	120	200/250	60	290	80/130	40	18
<b>BMA-150</b>	0,25	290	200-600	150	120	120	200/250	60	320	80/130	40	22
<b>BMA-175</b>	0,37	380	600-1.200	175	140	140	200/250	70	320	80/130	50	28
<b>BMA-200</b>	0,55	290	1.200-2.400	200	140	140	220/270	70	330	80/130	50	34
<b>BMA-225</b>	0,75	290	2.400-5.000	225	200	180	230/280	100	390	80/130	60	50
<b>BMA-275</b>	1,1	190	5.000-8.000	275	200	180	250	100	410	70	60	56
<b>BMA-300</b>	1,5	190	8.000-11.000	300	250	190	250	125	450	70	80	78
<b>BMA-325</b>	2,2	190	11.000-15.000	325	250	210	260	125	480	60	80	92
<b>BMA-350</b>	3	190	15.000-20.000	350	250	240	270	125	520	60	80	96
<b>BMA-400</b>	4	190	20.000-30.000	400	270	240	330	135	520	110	80	120

\* Recommended volume for gentle agitation for water type liquid, viscosity < 10 cP and density 1.000 kg/m³.

\* For further information, please contact INOXPA.

