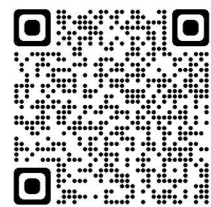


Official Website:

Our experienced team of professional engineers can provide you with products and technical solutions for your needs

For more product information, please visit our website:

www.innofluid.com



OFFICIAL WEBSITE



Industrial Peristaltic Pump

SERVICE AREA



New energy



Biopharmaceutical



Research institutes



Environmental resources

Typical application

- Pharmaceutical |
- Cell culture |
- Mining |
- Environmental monitoring |
- Printing |
- Chemical industry |

CONTENTS

01 HP Series Industrial Peristaltic Pump

Waterproof Performance Introduction	01
Function & Features	03
Technical Specification	05
Control Interface	07

02 Pump Head

EasyPump	09
KD15/KD25	11
DY25-II/DY35	12
DZ25-3L/DZ25-6L	13
DY15/DY25	15
YZ35	17
DZ45	18

03 Peristaltic Pump Tubing

Specification & Model	19
-----------------------	----



IP67 Protection

IP67 protection rating, ensure long-term stable operation.

(Immersion test)

- Touch screen operation panel
Sealed without dead end
- Stainless steel bearing
The pump head can work normally even immersed in water.
- Motor shaft
Equipped with high-pressure sealing ring, handles deep water pressure easily.
- Pump drive
Fully sealed shell structure ensures IP67 protection rating .



IP Ratings



SOLIDS		IP[XX]	WATER	
0	NO protection		NO protection	0
1	Solid foreign objects diameter >50mm		Vertical dripping water	1
2	Solid foreign objects diameter >12mm		Dripping water when tilted at 15°	2
3	Solid foreign objects diameter >2.5mm		Spraying water	3
4	Solid foreign objects diameter >1mm		Splashing water	4
5	Dust protected		Water jets	5
6	Dust-tight		Powerful water jets	6
			Short time immersion, up to 1 meter depth	7
			Continuous immersion, 1 meter or more depth	8

The whole pump is completely immersed in water without leakage



THE WHOLE PUMP IS IP67

Specially designed for the industrial environment. The whole pump has 6 types of sealing structures, ensure the IP67 protection rating.

- Intelligent control system**
- 4.3-inch color LCD touch screen with buttons, easy operation, better visual effect
 - Real-time animation displays the running status.
 - Flow rate, setting parameters and system configuration are displayed in same screen.
 - Intelligent calibration function.
 - Multiple external control methods easily meet the remote control requirements.

- Cast body design**
- Excellent heat dissipation performance. Under full load conditions: HP600 (with YZ35 pump head) motor temperature only rises 12°C.

- Servo motor**
- High precision, high torque, stable operation, low noise.

- Automatic pressure control device**
- Control the internal air pressure during the pump working, ensure the balance of internal and external pressure.

- Passed EMC test**
- Excellent anti-electromagnetic interference.



- Inside and outside of the external control interface are both circuit isolation.**
- Reduce electromagnetic interference and accidental damage to ensure the safe operation of the main control system and the associated equipment.

HP Series Industrial Peristaltic Pump



5years warranty



ISO9001 Certification



IP67

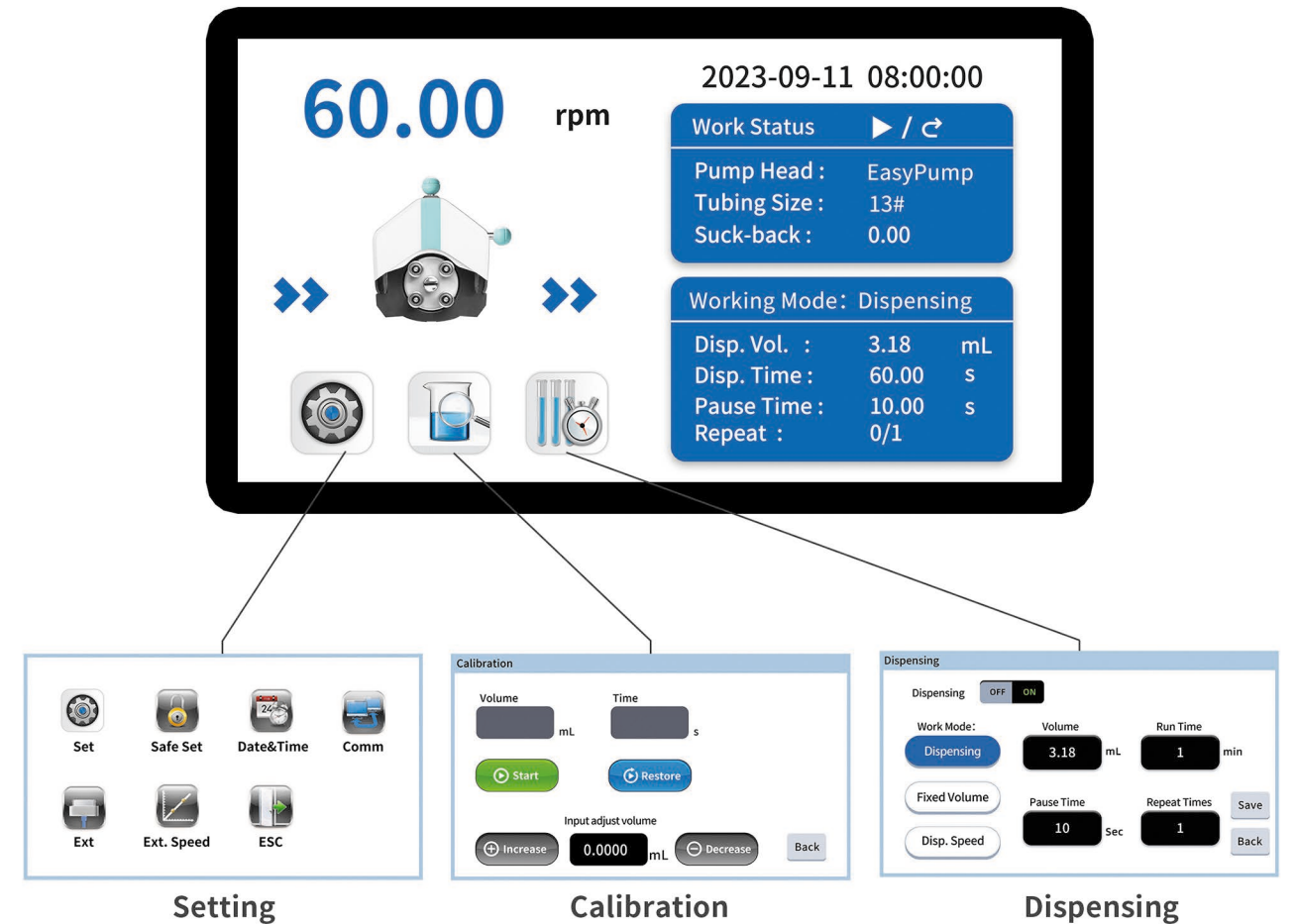
Technical Specifications

- | Standard: GB/T4208-2017, Q/BSC01-2019
- | Housing material: Aluminum Alloy
- | Speed range: HP600 series: 0.1-600rpm
HP350 series: 0.1-350rpm
HP300 series: 0.1-300rpm
- | Speed resolution: 0.01rpm
- | Display: 4.3 inch -Industrial grade - True color LCD screen
- | Control: Touch screen, mechanical buttons, external signal control, communication.
- | Working mode: Flow rate mode, Dispensing mode(Fixed volume dispensing, Fixed time&volume dispensing, Fixed time&speed dispensing).
- | Flow rate mode: Continuous transferring according to the set flow rate or motor speed.
- | Dispensing mode:
Fixed time and volume dispensing: Set the dispensing volume, dispensing time, repeat number and pause time.
Fixed volume dispensing: Set the dispensing volume, flow rate, repeat number and pause time.
Fixed time and speed dispensing: Set the motor speed (rpm), dispensing time, repeat number and pause time.
- | Dispensing volume: 0.1mL-9999L
- | Dispensing time: 0.1sec-9999hours
- | Pause time: 0.5sec-9999sec
- | Repeat number: 1-9999 times, 0 represents unlimited
- | Calibration function: Input actual volume and calibrate automatically
- | Back suction angle: 0-360° | Communication: RS485, RS232
- | Communication protocol: Modbus protocol(RTU mode)
- | External control speed signal: 0-5V, 0-10V, 4-20mA (For option)
- | External control signal input: Active switch signal (5-24V) control start/stop, direction and full speed; Passive switch signal control start/stop.
- | Signal output: Open collector output working status.
- | Lock screen function: Prevent accidental touches.
- | Password protection function: Prevent misoperation.
- | Drive dimension (LxWxH): 428mm*285mm*335mm
- | Power supply: 220VAC / 110VAC, 50Hz
- | Rated power: 300W | Relative humidity: <90%
- | Condition temperature: 0-40°C | IP rate: IP67
- | Drive weight: 21.5kg



IP67 Protection

Control Interface

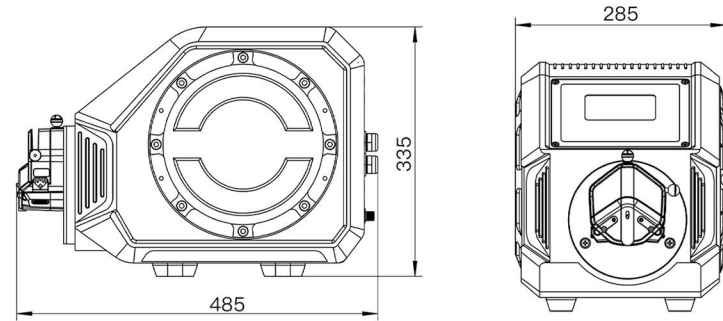


- Touch screen control and mechanical buttons control.
- Fixed volume dispensing: Set the dispensing volume, flow rate, repeat number and pause time.
- Fixed time and volume dispensing: Set the dispensing volume, dispensing time, repeat number and pause time.
- Fixed time and speed dispensing: Set the motor speed (rpm), dispensing time, repeat number and pause time.
- Lock screen function: Prevent accidental touches.
- Password protection function: Prevent misoperation.

EasyPump



Dimension Drawing(Unit:mm)



Easypump obtained U.S. Invention patent and Appearance patent.

Easypump obtained EU Appearance patent.



Invention Patent No.: US 11,852,136 B2
Appearance Patent No.: US D939,692 S



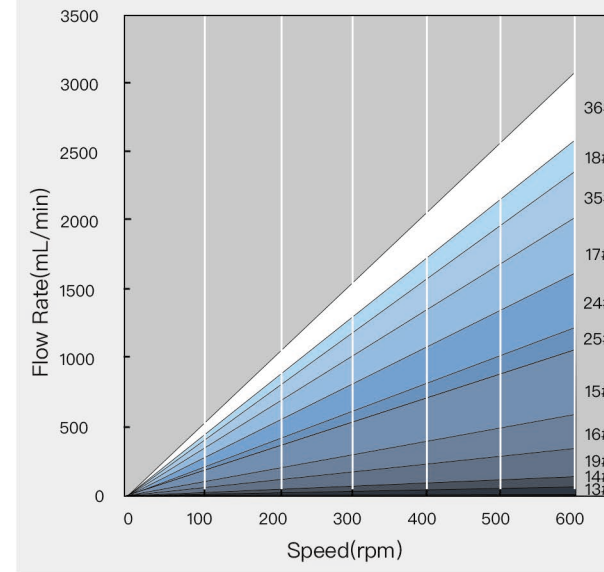
Appearance patent No.: 008005789-0002

Flow Rate

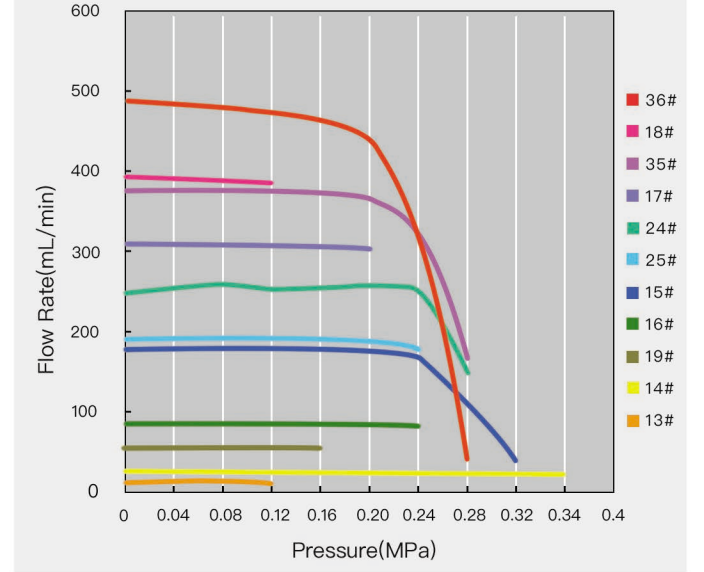
Pump Head	Housing Material	Tubing		mL/r	Speed (rpm)	Flow Rate (mL/min)	Weight (kg)
		Size	IDxWall Thickness				
Single channel EasyPumpI/III	Engineering plastic / PPS	13#	0.8x1.6	0.053	0.1-600	0.0053-32	0.6
		14#	1.6x1.6	0.27		0.027-162	
		19#	2.4x1.6	0.55		0.055-330	
		16#	3.1x1.6	0.933		0.093-560	
		25#	4.8x1.6	1.967		0.197-1180	
		17#	6.4x1.6	3.333		0.333-2000	
		18#	7.9x1.6	4.3		0.430-2580	
15#		4.8x2.4	1.8	0.180-1080			
Single channel EasyPumpII/IV		24#	6.4x2.4	2.733		0.273-1640	
		35#	7.9x2.4	3.833		0.383-2300	
		36#	9.6x2.4	5.167		0.517-3100	
Dual channel EasyPumpV/VI		13#	0.8x1.6	0.053		0.0053-32	
		14#	1.6x1.6	0.27		0.027-162	
		19#	2.4x1.6	0.55		0.055-330	
	16#	3.1x1.6	0.933	0.093-560			
	25#	4.8x1.6	1.967	0.197-1180			

Experimental conditions: Standard atmospheric pressure, room temperature at 20°C, the liquid is pure water, no pressure, no suction and lift.
Note: Actually, it is affected by many factors such as transmission medium, inlet and outlet pressure, hose material and error, working environment, etc. This data is for reference only.

Flow Rate (0.1-600rpm)



Pressure/Flow Rate Curve(100rpm)



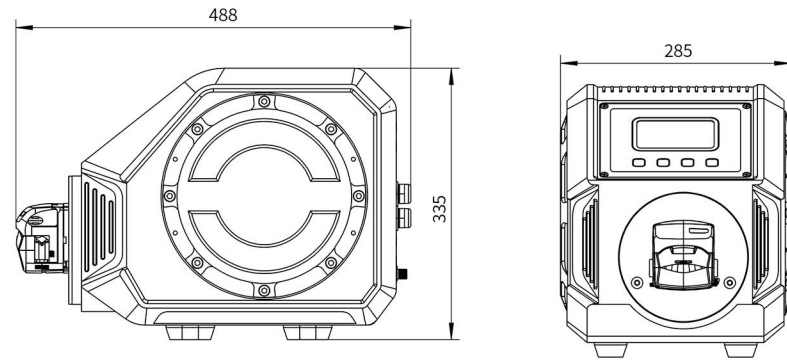
Filling Volume Reference Parameter

Drive	Pump Head	Tubing	Filling Volume(mL)	Filling Time(s)	Accuracy(±%)	Output (pcs/min)	Motor Speed(rpm)
HP600	EasyPump	13#	0.4	1.2	0.8	27	377.36
		13#	1	2.5	0.5	17	452.83
		14#	2	1	0.5	30	444.44
		19#	5	1.2	0.5	27	454.55
		16#	7	1	0.5	30	450.16
		25#	10	0.8	0.8	33	381.29
		25#	15	1	0.5	30	457.55
		25#	20	1.5	0.5	24	406.71
		17#	30	1.2	0.5	27	450.05
		18#	50	1.5	0.5	24	465.12
		15#	15	1.2	0.5	27	416.67
		24#	20	1.2	0.5	27	365.90
		35#	30	1.2	0.5	27	391.34
		36#	50	1.5	0.8	24	387.07

Experimental conditions: standard atmospheric pressure, room temperature at 20°C, the liquid is pure water, no pressure, no suction and lift.
Note: Actually, it is affected by many factors such as transmission medium, inlet and outlet pressure, hose material and error, working environment, etc. This data is for reference only.

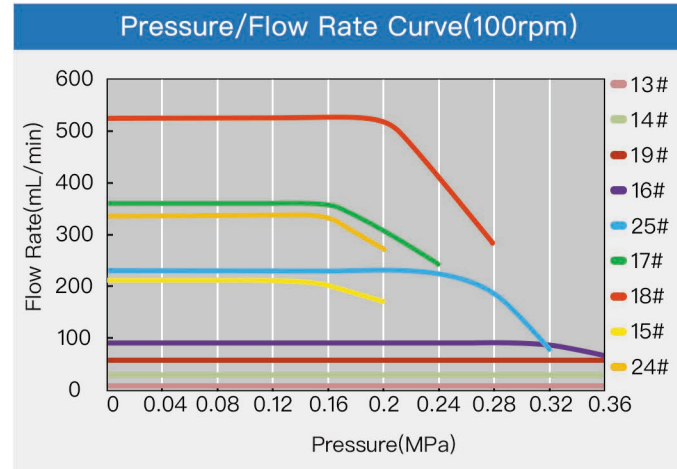
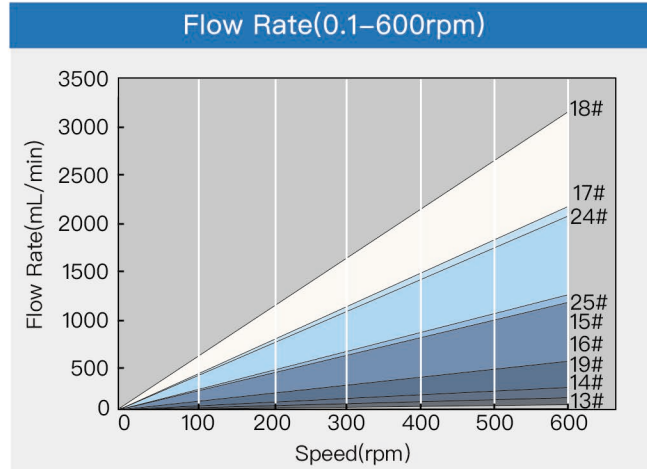
KD15/25

Dimension Drawing(Unit:mm)



Flow Rate

Drive	Pump Head	Housing Material	Tubing		3 Rollers		4 Rollers		Speed (rpm)	Weight (kg)
			Size	IDxWall Thickness	(mL/r)	(mL/min)	(mL/r)	(mL/min)		
HP600	KD15	PPS	13#	0.8x1.6	0.06	0.006-36	0.06	0.006-36	0.1-600	3.2
			14#	1.6x1.6	0.26	0.026-156	0.25	0.025-150		
			19#	2.4x1.6	0.55	0.055-330	0.51	0.051-306		
			16#	3.1x1.6	0.92	0.092-552	0.88	0.088-528		
			25#	4.8x1.6	2.2	0.22-1320	1.9	0.19-1140		
			17#	6.4x1.6	3.6	0.36-2160	3	0.30-1800		
			18#	7.9x1.6	5.4	0.54-3240	4.8	0.48-2880		
	KD25		15#	4.8x2.4	2.15	0.215-1290	1.9	0.19-1140		
			24#	6.4x2.4	3.47	0.347-2082	3.1	0.31-1860		



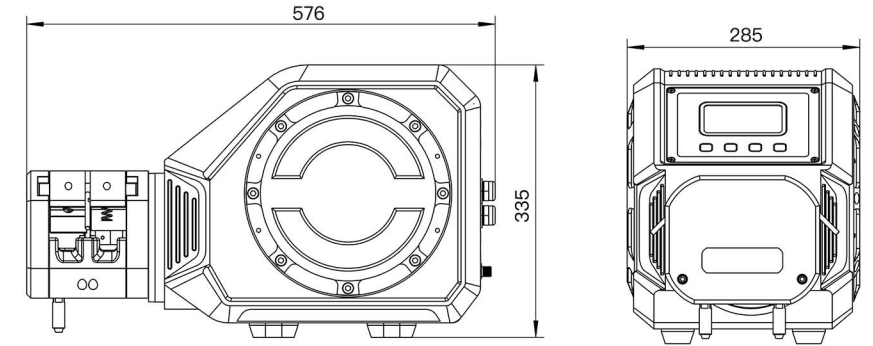
Filling Volume Reference Parameter

Drive	Pump Head	Tubing	Filling Volume(mL)	Filling Time(s)	Accuracy(±%)	Output (pcs/min)	Motor Speed (rpm)
HP600	KD15	13#	0.1	0.5	0.8	40	200
		14#	1	1	0.5	30	230.8
		19#	3	1	0.5	30	327.3
		16#	7	1.5	0.5	24	304.3
		25#	10	1	0.5	30	272.7
		17#	30	1.5	0.5	24	333.3
		18#	80	2.5	1	17	355.6
	KD25	15#	10	1.2	0.5	27	232.6
		24#	30	2	0.5	20	259.36

Experimental conditions:Standard atmospheric pressure, room temperature at 20°C,the liquid is pure water, no pressure, no suction and lift.
Note: Actually, it is affected by many factors such as transmission medium, inlet and outlet pressure, hose material and error, working environment, etc. This data is for reference only.

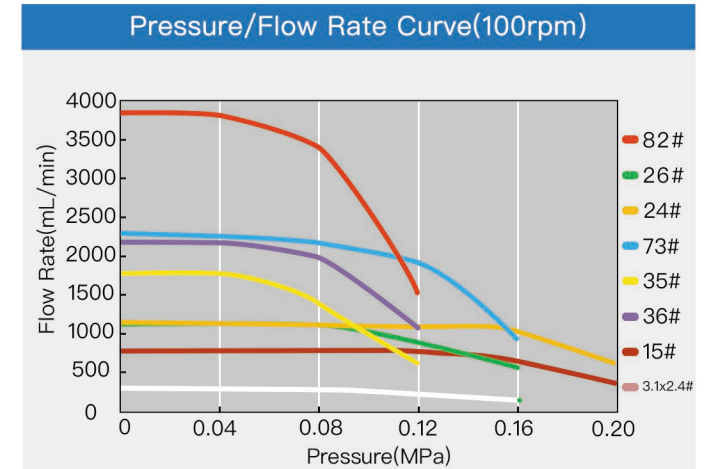
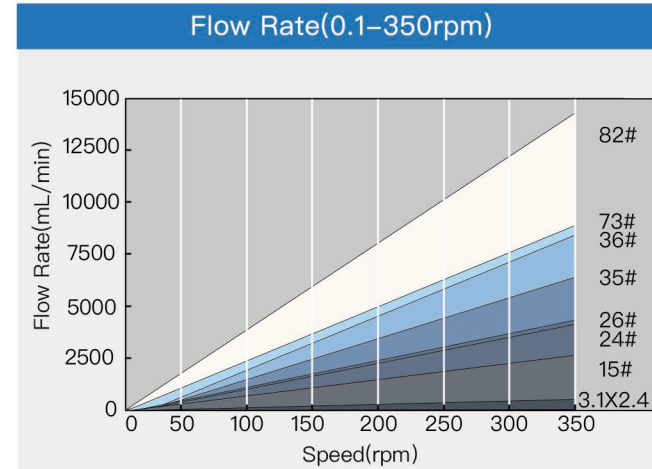
DY25-II/DY35

Dimension Drawing(Unit:mm)



Flow Rate

Drive	Pump Head	Housing Material	Tube Clamp Material	Tubing		(mL/r)	Speed (rpm)	Flow Rate (mL/min)	Weight (kg)
				Size	IDxWall Thickness				
HP350	DY25-II	Aluminum alloy	POM	3.1X2.4	3.1x2.4	3.46	0.1-350	0.35-1211	9.45
				15#	4.8x2.4	7.52		0.75-2632	
				24#	6.4x2.4	11.87		1.19-4154.5	
				35#	7.9x2.4	17.64		1.76-6174	
				36#	9.6x2.4	23.65		2.37-8278	
	DY35			26#	6.4x3.3	12.78		1.28-4473	
				73#	9.6x3.3	23.96		2.40-8686	
				82#	12.7x3.3	39.3		3.93-13755	



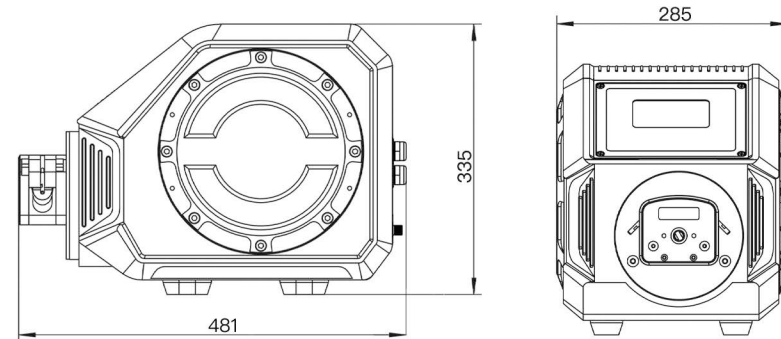
Filling Volume Reference Parameter

Drive	Pump Head	Tubing	Filling Volume(mL)	Filling Time(s)	Accuracy(±%)	Output (pcs/min)	Motor Speed (rpm)
HP350	DY25-II	3.1X2.4	20	2	0.5	20	173.4
		15#	80	3	0.5	15	212.8
		24#	150	4	0.5	12	189.6
		35#	200	3.2	0.8	14	212.6
		36#	300	3.5	1	13	217.4
	DY35	26#	150	3	0.8	15	234.7
		73#	300	3	1	15	250.4
		82#	500	3	1	15	254.5

Experimental conditions:Standard atmospheric pressure, room temperature at 20°C,the liquid is pure water, no pressure, no suction and lift.
Note: Actually, it is affected by many factors such as transmission medium, inlet and outlet pressure, hose material and error, working environment, etc. This data is for reference only.

DZ25-3L

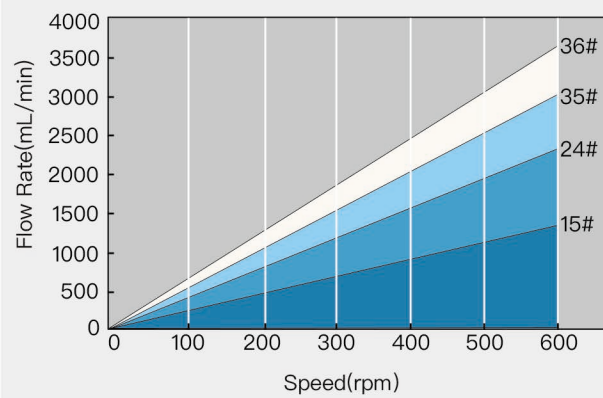
Dimension Drawing(Unit:mm)



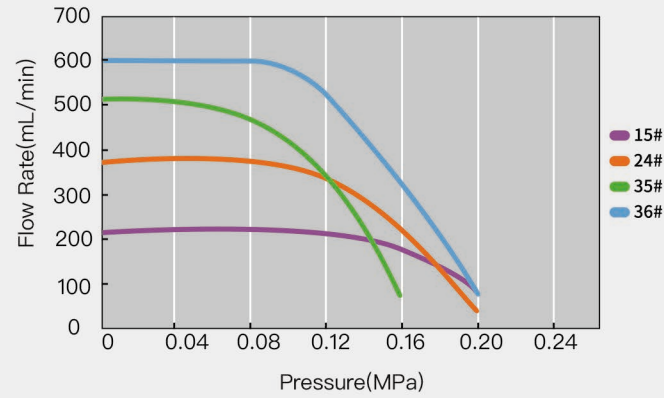
Flow Rate

Drive	Pump Head	Housing Material	Weight (kg)	Tube Clamp Material	Tubing		mL/r	Speed (rpm)	Flow Rate (mL/min)
					Size	IDxWall Thickness			
HP600	DZ25-3L	PPS	0.5	Polyamide	15#	4.8x2.4	2.11	0.1-600	0.211-1264
					24#	6.4x2.4	3.85		0.385-2310
		Aluminum alloy	1.16		35#	7.9x2.4	5.08		0.508-3050
					36#	9.6x2.4	6		0.6-3600

Flow Rate(0.1-600rpm)



Pressure/Flow Rate Curve(100rpm)



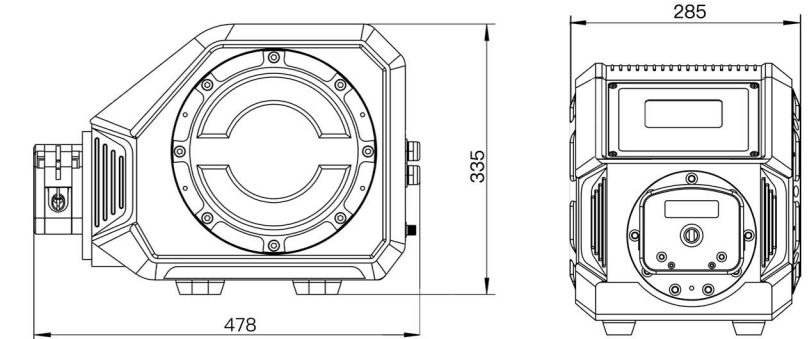
Filling Volume Reference Parameter

Drive	Pump Head	Tubing	Filling Volume(mL)	Filling Time(s)	Accuracy(±%)	Output (pcs/min)	Motor Speed(rpm)
HP600	DZ25-3L	15#	20	1.2	0.5	27	473.9
		24#	40	1.5	0.5	24	415.6
		35#	50	1.5	0.5	24	393.7
		36#	70	2	0.5	20	350.0

Experimental conditions:Standard atmospheric pressure, room temperature at 20°C,the liquid is pure water, no pressure, no suction and lift.
Note: Actually, it is affected by many factors such as transmission medium, inlet and outlet pressure, hose material and error, working environment, etc. This data is for reference only.

DZ25-6L

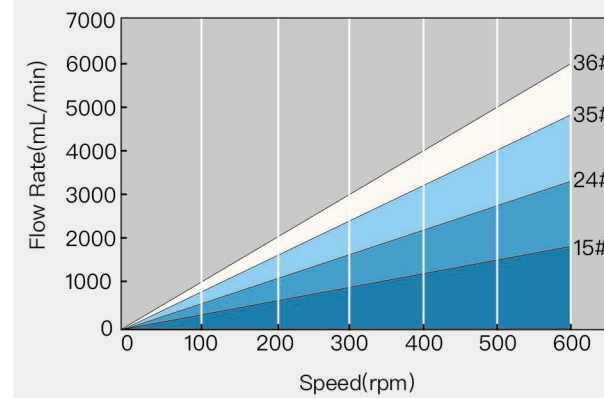
Dimension Drawing(Unit:mm)



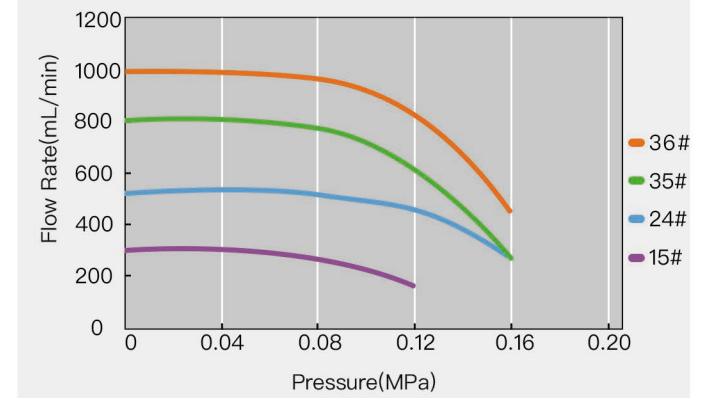
Flow Rate

Drive	Pump Head	Housing Material	Weight (kg)	Tube Clamp Material	Tubing		mL/r	Speed (rpm)	Flow Rate (mL/min)
					Size	IDxWall Thickness			
HP600	DZ25-6L	PPS	0.85	Polyamide	15#	4.8x2.4	3	0.1-600	0.3-1800
					24#	6.4x2.4	5.5		0.55-3300
		Aluminum alloy	1.87		35#	7.9x2.4	8		0.8-4800
					36#	9.6x2.4	10		1-6000

Flow Rate(0.1-600rpm)



Pressure/Flow Rate Curve(100rpm)



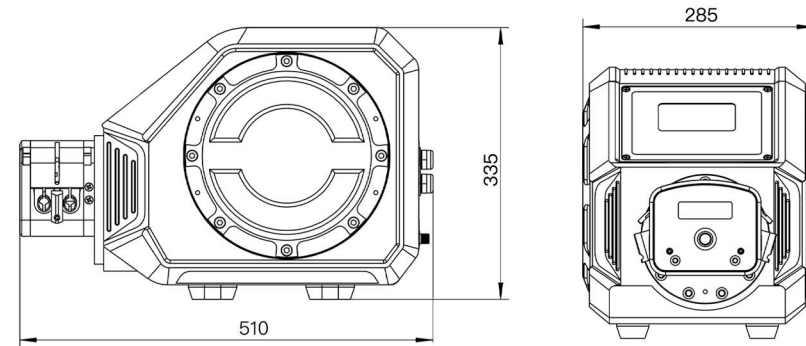
Filling Volume Reference Parameter

Drive	Pump Head	Tubing	Filling Volume(mL)	Filling Time(s)	Accuracy(±%)	Output (pcs/min)	Motor Speed(rpm)
HP600	DZ25-6L	15#	30	1.2	0.5	27	500.0
		24#	50	1.2	0.5	27	454.6
		35#	70	1.2	0.5	27	437.5
		36#	100	1.5	0.5	24	400.0

Experimental conditions:Standard atmospheric pressure, room temperature at 20°C,the liquid is pure water, no pressure, no suction and lift.
Note: Actually, it is affected by many factors such as transmission medium, inlet and outlet pressure, hose material and error, working environment, etc. This data is for reference only.

DY15

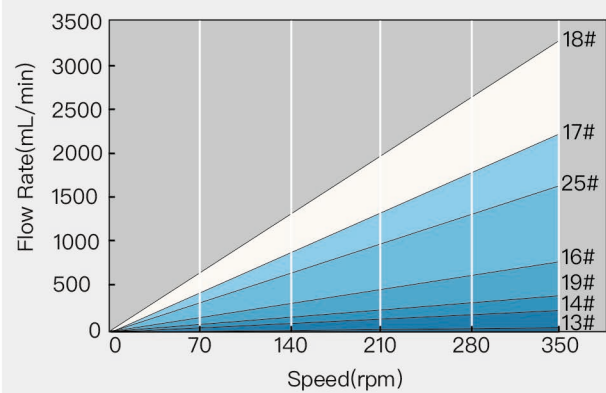
Dimension Drawing(Unit:mm)



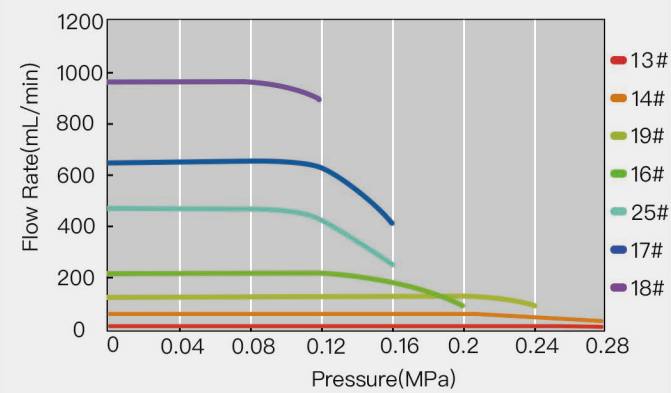
Flow Rate

Drive	Pump Head	Housing Material	Tube Clamp Material	Tubing		mL/r	Speed (rpm)	Flow Rate (mL/min)	Weight (kg)
				Size	IDxWall Thickness				
HP350	DY15	Aluminum alloy	Polyamide	13#	0.8x1.6(mm)	0.14	0.1-350	0.01-48	3.2
				14#	1.6x1.6(mm)	0.64		0.06-223	
				19#	2.4x1.6(mm)	1.28		0.13-448	
				16#	3.1x1.6(mm)	2.07		0.2-723	
				25#	4.8x1.6(mm)	4.65		0.47-1626	
				17#	6.4x1.6(mm)	6.37		0.64-2230	
				18#	7.9x1.6(mm)	9.53		0.95-3337	

Flow Rate(0.1-350rpm)



Pump Head Pressure/Flow Rate Curve(100rpm)



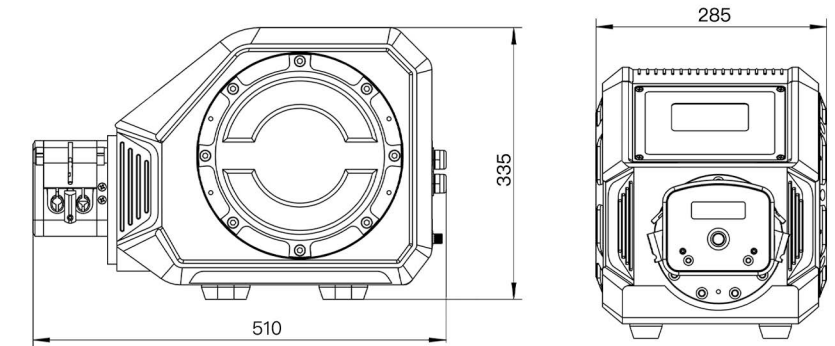
Filling Volume Reference Parameter

Drive	Pump Head	Tubing	Filling Volume(mL)	Filling Time(s)	Accuracy(±%)	Output (pcs/min)	Motor Speed(rpm)
HP350	DY15	14#	0.5	0.5	1	30	94.2
		14#	1	0.6	0.8	38	157.0
		14#	3	1	0.5	30	282.6
		19#	5	1	0.8	30	234.4
		16#	15	1.5	0.5	24	290.4
		25#	20	1	0.5	30	258.3
		17#	30	1	0.5	30	282.5
		18#	100	2.5	0.5	17	251.7

Experimental conditions:Standard atmospheric pressure, room temperature at 20°C,the liquid is pure water, no pressure, no suction and lift.
Note: Actually, it is affected by many factors such as transmission medium, inlet and outlet pressure, hose material and error, working environment, etc. This data is for reference only.

DY25

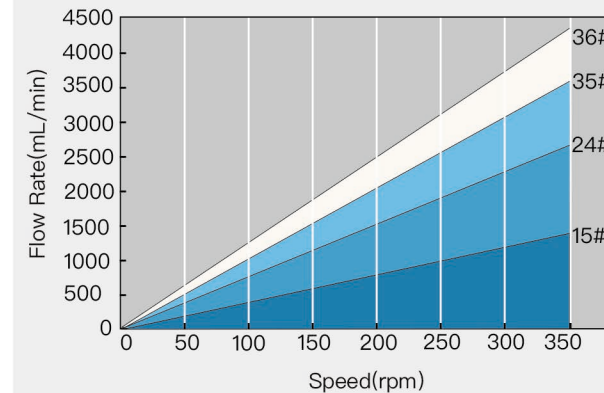
Dimension Drawing(Unit:mm)



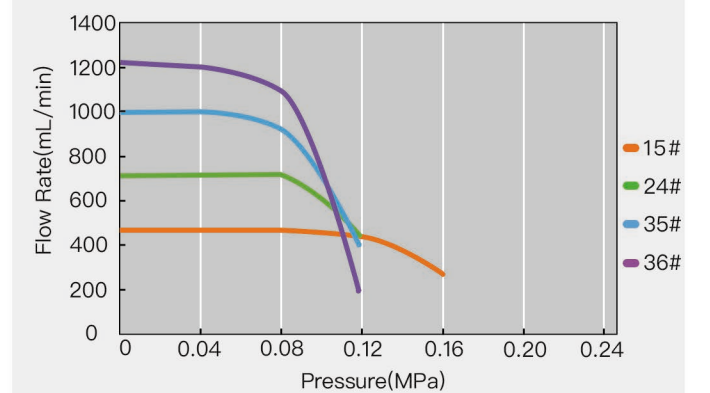
Flow Rate

Drive	Pump Head	Housing Material	Tube Clamp Material	Tubing		mL/r	Speed (rpm)	Flow Rate (mL/min)	Weight (kg)
				Size	IDxWall Thickness				
HP350	DY25	Aluminum alloy	Polyamide	15#	4.8x2.4(mm)	4.23	0.1-350	0.42-1480	3.2
				24#	6.4x2.4(mm)	7.63		0.76-2670	
				35#	7.9x2.4(mm)	10.29		1.03-3600	
				36#	9.6x2.4(mm)	12.40		1.24-4340	

Flow Rate(0.1-350rpm)



Pump Head Pressure/Flow Rate Curve(100rpm)

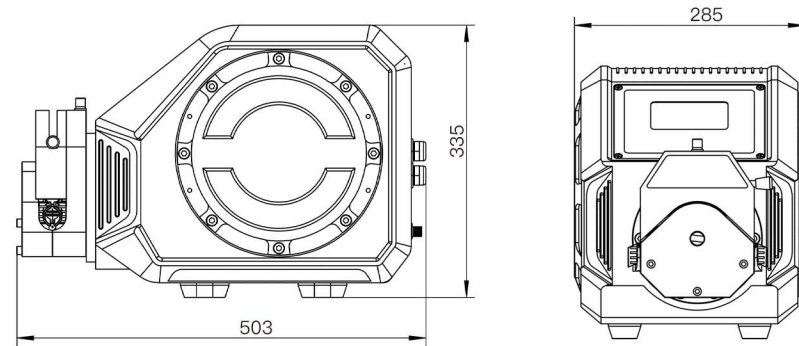


Filling Volume Reference Parameter

Drive	Pump Head	Tubing	Filling Volume(mL)	Filling Time(s)	Accuracy(±%)	Output (pcs/min)	Motor Speed(rpm)
HP350	DY25	15#	10	0.8	0.8	33	177.3
		24#	30	1	0.8	30	235.9
		35#	70	1.5	0.5	24	272.2
		36#	100	2	0.5	20	241.9

Experimental conditions:Standard atmospheric pressure, room temperature at 20°C,the liquid is pure water, no pressure, no suction and lift.
Note: Actually, it is affected by many factors such as transmission medium, inlet and outlet pressure, hose material and error, working environment, etc. This data is for reference only.

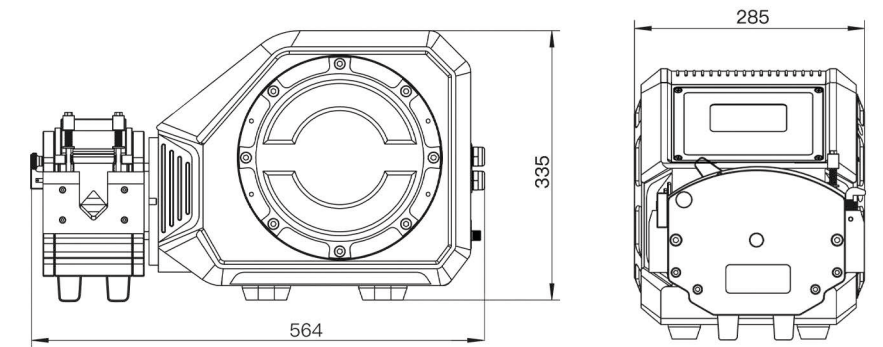
YZ35



DZ45

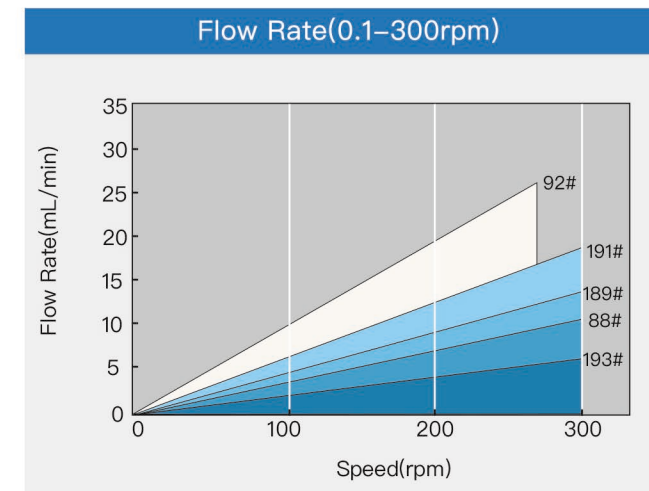
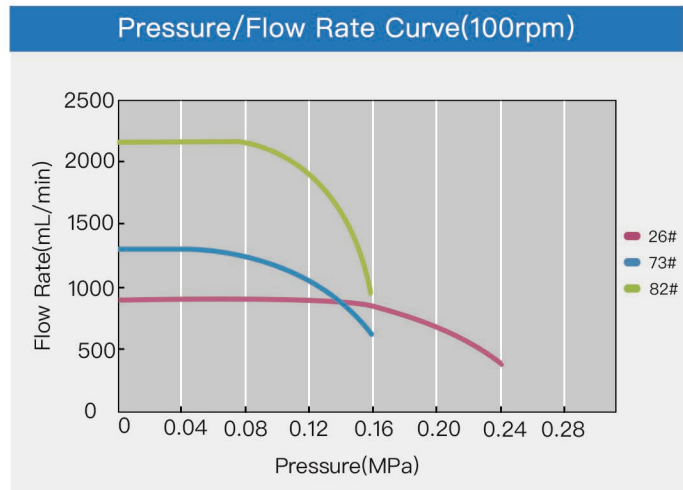
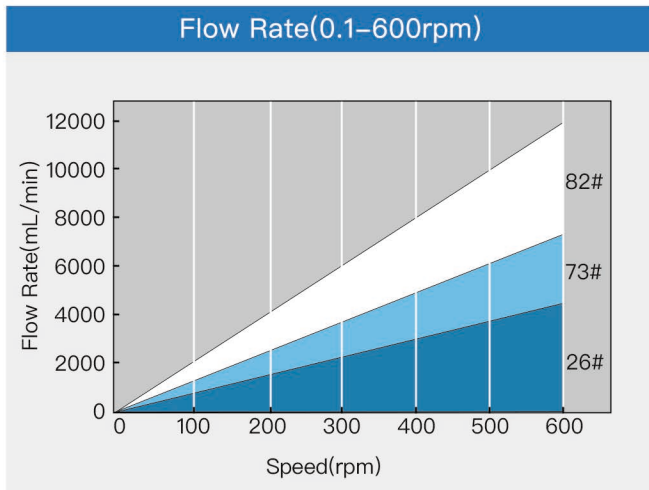


Dimension Drawing(Unit:mm)



Flow Rate									
Drive	Pump Head	Housing Material	Weight (kg)	Tube Clamp Material	Tubing		mL/r	Speed (rpm)	Flow Rate (mL/min)
					Size	IDxWall Thickness			
HP600	YZ35	PPS	1.5	Polyamide	26#	6.4x3.3(mm)	7	0.1-600	0.7-4200
		Aluminum alloy	3.55		73#	9.6x3.3(mm)	12.3		1.23-7400
					82#	12.7x3.3(mm)	20		2-12000

Flow Rate									
Drive	Pump Head	Housing Material	Tube Clamp Material	Tubing		L/r	Speed (rpm)	Flow Rate (L/min)	Weight (kg)
				Size	IDxWall Thickness				
HP300	DZ45-I	Aluminum alloy	Aluminum alloy	193#	9.6x4.8(mm)	0.019	0.1-300	0.0019-5.66	10
				88#	12.7x4.8(mm)	0.035		0.0035-10.5	
	189#			15.9x4.8(mm)	0.047	0.0047-13.98			
	DZ45-II			191#	19.4x4.8(mm)	0.063	0.0063-18.78		
				92#	25.4x4.8(mm)	0.104	0.1-270	0.0104-28.15	



Filling Volume Reference Parameter							
Drive	Pump Head	Tubing	Filling Volume(mL)	Filling Time(s)	Accuracy(±%)	Output (pcs/min)	Motor Speed(rpm)
HP600	YZ35	26#	50	1	0.5	30	428.6
		26#	100	2	0.5	20	428.6
		73#	100	1.2	0.5	27	406.5
		73#	150	2	0.5	20	365.9
	2*YZ35	82#	200	1.5	0.5	24	400.0
		73#	100	1.2	0.5	27	203.3
		73#	200	1.5	0.5	24	325.2
		82#	500	2	0.5	20	375.0

Experimental conditions: standard atmospheric pressure, room temperature at 20°C, the liquid is pure water, no pressure, no suction and lift.
 Note: Actually, it is affected by many factors such as transmission medium, inlet and outlet pressure, hose material and error, working environment, etc. This data is for reference only.



DZ45-I



DZ45-II

Peristaltic Pump Tubing

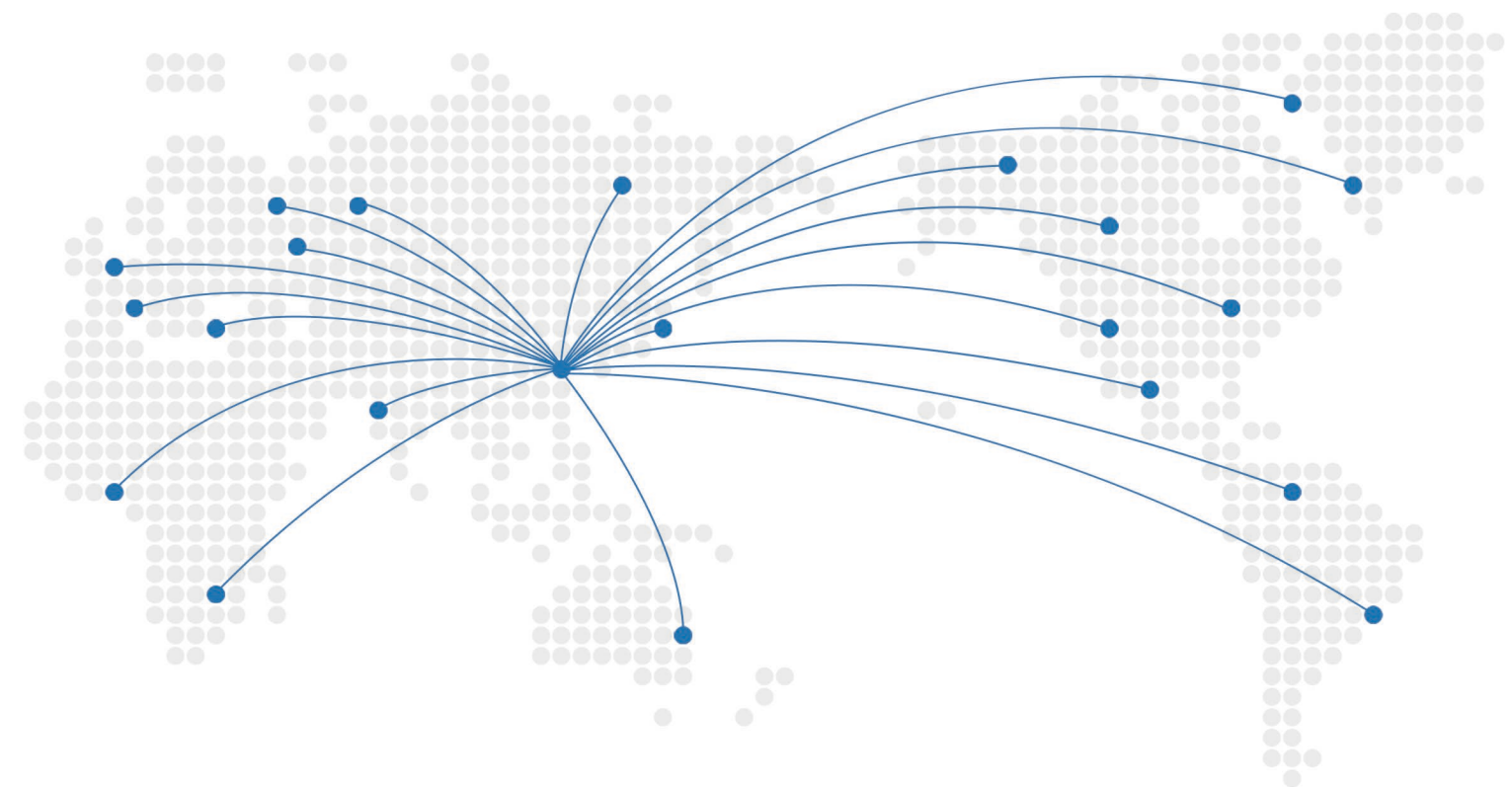
Silicone Tubing

Platinum-cured silicone tubing: Soft, slightly transparent, smooth inner wall; low protein adhesion, low protein penetration, temperature range: -51~238°C.

Micro flow rate tubing										
Tubing Size	0.13×0.86	0.5×0.86	0.86×0.86	1.52×0.86	2.06×0.86	2.79×0.86	1×1	2×1	3×1	2.4×0.8
Tubing cross sections(1:1)										
Wall thickness (mm)	0.86						1.0			0.8
Inside diameter (mm)	0.13	0.5	0.86	1.52	2.06	2.79	1.0	2.0	3.0	2.4
Maximum pressure (Mpa)	Continuous									
	Intermittent									
0.1										
0.1										

Basic flow rate tubing											
Tubing Size	13"	14"	19"	16"	25"	17"	18"	15"	24"	35"	36"
Tubing cross sections(1:1)											
Wall thickness (mm)	1.6						2.4				
Inside diameter (mm)	0.8	1.6	2.4	3.2	4.8	6.4	7.9	4.8	6.4	7.9	9.6
Maximum pressure (Mpa)	Continuous										
	Intermittent										
0.17											
0.14											
0.07											
0.17											
0.14											
0.27											
0.24											
0.27											
0.24											

Industrial tubing								
Tubing Size	26"	73"	82"	86"	90"	88"	92"	
Tubing cross sections(1:1)								
Wall thickness (mm)	3.3			6.4		4.8		
Inside diameter (mm)	6.4	9.6	12.7	9.5	19	12.7	25.4	
Maximum pressure (Mpa)	Continuous							
	Intermittent							
0.2								
0.25								
0.27								
0.3								



Shenzhen Peristaltic Pump | Exported to **106** countries

